



PowerCube Series VA800D / VA2000D / VA2500D / VA3000D



3000W AC Bidirectional Power

Charge Faster. Power More.



Solar Retrofit Ready

Add storage, keep inverter.



3000W Solar Input

4 MPPTs. Every Panel at Its Best.



10ms Backup Power

Grid Down . Life Goes On.



AI Energy Management

Save More Automatically.



Scalable Storage

Expand from 2.5kWh to 27.5kWh.



Plug & Play Installation

Install in Minutes.



12,000-Cycle LFP Battery

Built to Last.

All-in-One: Microinverter+Battery

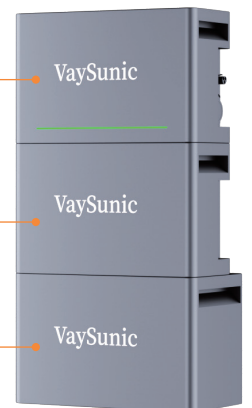
Model: VA Series
Built-in 2.5kWh battery

Battery Module: 2.5kWh

Model: VB2500D

Battery Module: 5kWh

Model: VB5000D



Model	VA800D	VA2000D	VA2500D	VA3000D
PV Input				
Commonly Module Power (W) ¹	200~550W+	400~670W+	500~710W+	610~750W+
Power (W) ³	2000W (500W × 4)	3000W (750W × 4)	3000W (750W × 4)	3000W (750W × 4)
MPPT Voltage Range (V)				18~60V
Maximum Voltage (V)				60V
Max. Input Current(A)				4x20A
Max. Input Short Circuit Current(A)				4x22A
MPPT Number				4
AC Input				
Voltage (V) ²				230, 240 / 184 ~ 253V
Frequency (Hz) ²				50Hz
Max. Input Current(A)				13.8A
Max. Power Range(W)				1000 ~ 3000W*
On Grid				
Power (W)	800W	2000W*	2500W*	3000W*
Voltage (V) ²				230, 240 / 185 ~ 253V
Rated Output Current (A)	3.5A	8.7A	10.9A	13.0A
Frequency (Hz) ²				50Hz
Max. Output Current(A)				16A
Overvoltage Class AC Port				III
Power Factor				0.8(lagging)~0.8(leading), >0.99 (default)
Total Harmonic Distortion				<3%
Off Grid				
Peak Output Power (W)				4500W (15s)* 3000W*
Voltage (V) ²				230V / 218.5 ~ 241.5V
Frequency (Hz) ²				50Hz / 49.5 ~ 50.5Hz
Rated Output Current (A)				13A
EPS Switch Time				≤10ms
DC Battery				
Capacity				2508.8 Wh
Battery Type				LiFePO ₄ (LFP)
Cycle Life				12000 Cycles
Protections				
Insulation Monitoring				Yes
DC Surge Protection				Yes
Residual Current Monitoring				Yes
General Data				
Charging Temperature (°C)				-20°C to 55°C
Discharging Temperature (°C)				-20°C to 55°C
Storage Temperature (°C)				-25°C to 60°C
Dimensions (W x D x H mm)				538 × 195 × 278mm
Weight (kg)				24.9Kg
Enclosure rating				IP65
Relative humidity				5~90%
Max. operation altitude (m)				≤ 2000
Integrated Wi-Fi				802.11 b/g/n, 2.4 GHz
Zero Injection (EMS Function Included)				Smart Meter (Optional)
Monitoring				VIP Cloud
Display				LED Indicators; APP
Compliance				EN/IEC62109-1/2, EN/IEC61000, EN/IEC62920, EN/IEC62311:2019/2020, EN50665:2017, EN300328, EN301489-1/-17, EN50549-1:2019, EN50549-10:2022, VDE-AR-N 4105, IEC/EN 62477, IEC/EN 63056, UN 38.3

* a. The PV and battery ports can work together to deliver maximum power. b. When the battery capacity is 2.5 kWh, the maximum AC output power from the battery alone is 1200W. When the battery capacity is ≥7.5 kWh, the AC output power from the battery alone can be increased to 3000W. c. The maximum power can be utilized for charging from both PV and AC port.

*1 Compatible with 99% of mainstream solar panels.
*2 The nominal voltage/frequency range may vary based on local requirements.

*3 PV power feeds both inverter output and battery charging. Warranty remains unaffected by this oversizing.

Stackable Solution

Expansion Battery	VA	+1	+2	+3	+4	+5
VA Series + VB2500D	2.5kWh	5kWh	7.5kWh	10kWh	12.5kWh	15kWh
Maximum AC Output Power	1200W	2400W	3000W	3000W	3000W	3000W

Model VB2500D

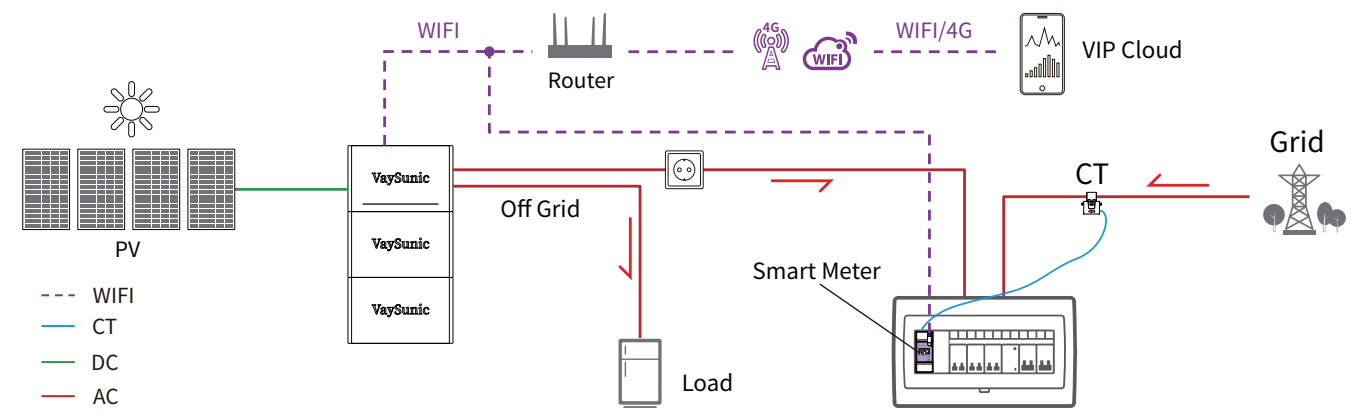
DC Battery

Capacity	2508.8 Wh
Battery Type	LiFePO ₄ (LFP)
Cycle Life	12000 Cycles
Dimensions (W x D x H mm)	538 × 195 × 278mm
Weight (kg)	22.9Kg
Charging Temperature (°C) ¹	-20°C to 55°C
Discharging Temperature (°C) ²	-20°C to 55°C
Storage Temperature (°C) ³	-25°C to 60°C
Enclosure rating	IP65
Relative humidity	5~90%
Max. operation altitude (m)	≤ 2000

Compliance UN 38.3, IEC/EN 62619, IEC/EN 63056, IEC/EN 62477

*1 The temperature ranges provided are applicable to the internal battery module.
 *2 Do not use the device outside the specified temperature range. Performance may vary with temperature. Refer to the user manual.
 *3 Storing the device beyond the specified temperature range is prohibited. For detailed instructions, refer to the user manual.

© 2026 All Rights Reserved Specifications subject to change without notice.
 info@VaySunic.com



* Smart Meters are optional energy management terminals that help intelligently control home energy usage.

Stackable Solution

Expansion Battery	VA	+1	+2	+3	+4	+5
VA Series + VB5000D	2.5kWh	7.5kWh	12.5kWh	17.5kWh	22.5kWh	27.5kWh
Maximum AC Output Power	1200W	3000W	3000W	3000W	3000W	3000W

Model VB5000D

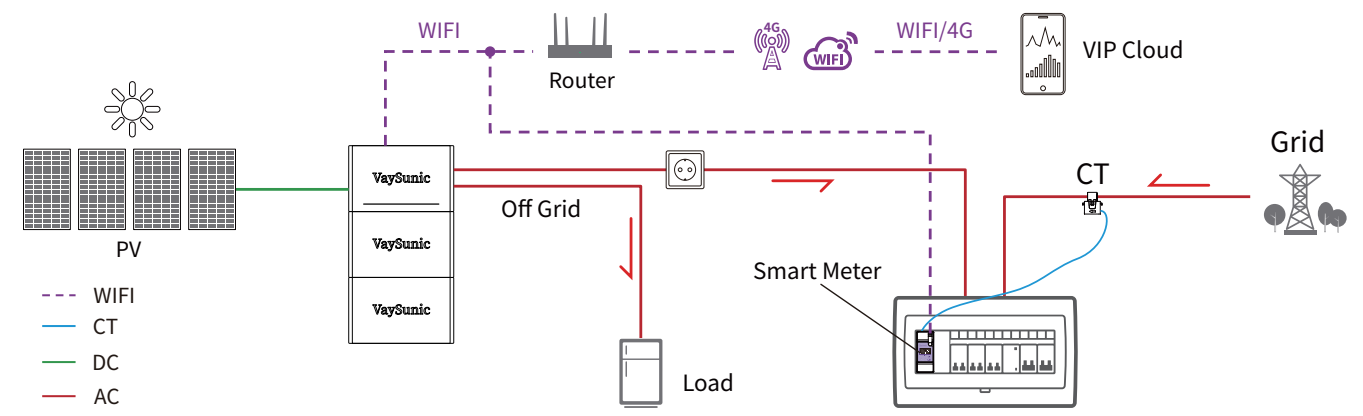
DC Battery

Capacity	5017.6 Wh
Battery Type	LiFePO ₄ (LFP)
Cycle Life	12000 Cycles
Dimensions (W x D x H mm)	538 × 280 × 278mm
Weight (kg)	34.6Kg
Charging Temperature (°C) ¹	-20°C to 55°C
Discharging Temperature (°C) ²	-20°C to 55°C
Storage Temperature (°C) ³	-25°C to 60°C
Enclosure rating	IP65
Relative humidity	5~90%
Max. operation altitude (m)	≤ 2000

Compliance UN 38.3, IEC/EN 62619, IEC/EN 63056, IEC/EN 62477

*1 The temperature ranges provided are applicable to the internal battery module.
 *2 Do not use the device outside the specified temperature range. Performance may vary with temperature. Refer to the user manual.
 *3 Storing the device beyond the specified temperature range is prohibited. For detailed instructions, refer to the user manual.

© 2026 All Rights Reserved Specifications subject to change without notice.
 info@VaySunic.com



* Smart Meters are optional energy management terminals that help intelligently control home energy usage.